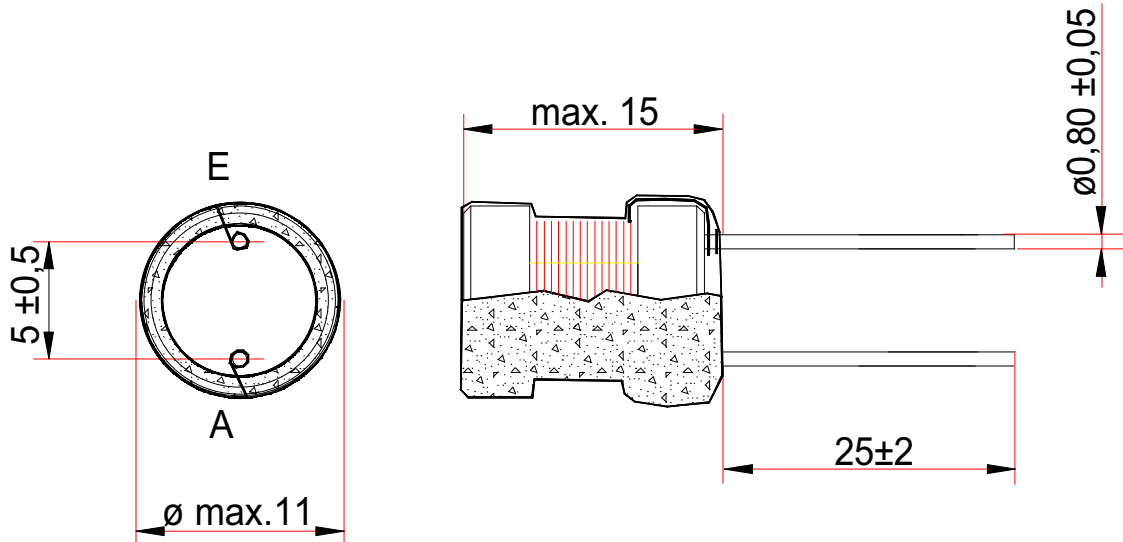


# Technical Data Sheet

 Customer:  
**Kaschke Göttingen**

 Part designation:  
**DR-GR 11/15**

Customer part no.:



Core / material / air gap / AL	<b>GRD 9/13-2B or äquiv.</b>	
Nominal inductance	<b>L = 4,7µH ±20%</b>	
maximum transmissible power		
Working frequency		
Transformation ratio		
dielectric strength (50Hz/2s)		
Nominal Current	<b>max. 7,0A (L-10%)</b>	
Design in comp. with standard	<b>S07</b>	
Working / storage temperature	<b>-25°C- +85°C</b>	<b>-25°C- +85°C</b>
Miscellaneous		
resistance	<b>max. 30 mOhm</b>	

Remarks :

 Measuring device of L **W&K 3260A**

 Measuring conditions of L: **100mV/100kHz/25°C**

Measured quantity	Unit	No. 1	No. 2	No. 3	No. 4	No. 5

Responsible person: <b>Martina Kirchner</b>	Date: <b>23.01.2007</b>	Design regulation no: <b>034.151</b>	Index: <b>a</b>
--	----------------------------	---	--------------------

**PLEASE GIVE US YOUR WRITTEN RELEASE**

<input type="text"/>	<input type="text"/>
Date	Signature