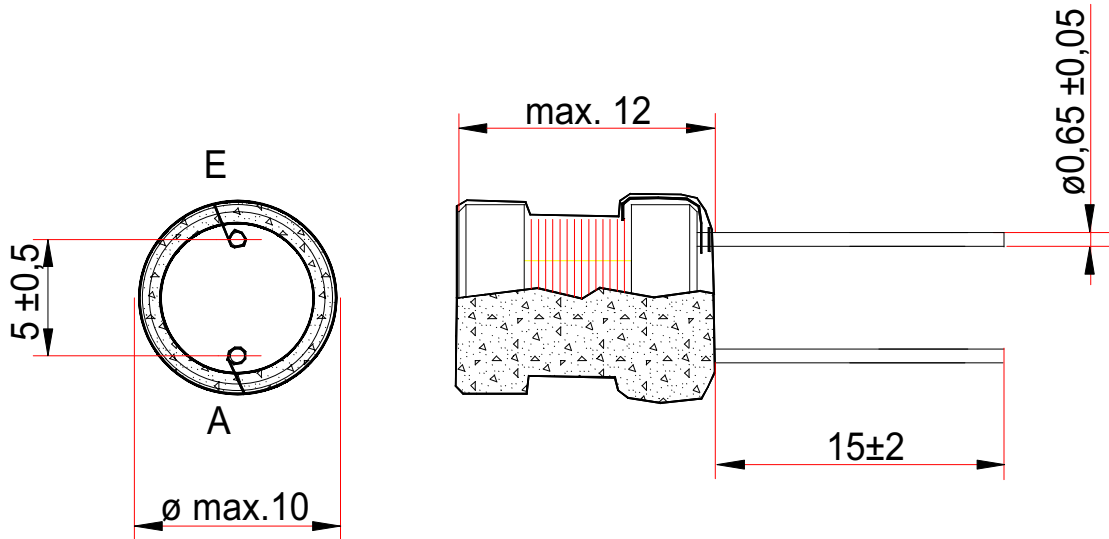


Technical Data Sheet

Customer:
Kaschke Göttingen

Part designation:
DR 270/5

Customer part no.:



Core / material / air gap / AL		
Nominal inductance	L= 10µH ±10%	
maximum transmissible power		
Working frequency		
Transformation ratio		
dielectric strength (50Hz/2s)		
Nominal Current	max. 3,0A (L-10%)	
Design in comp. with standard	S07	
Working / storage temperature	-25°C- +80°C	-25°C- +80°C
Miscellaneous		
resistance	max. 30 mOhm	

Remarks :

Measuring device of L: **W&K 3260A**

Measuring conditions of L: **50mV/1kHz/25°C**

Measured quantity	Unit	No. 1	No. 2	No. 3	No. 4	No. 5

Responsible person: Martina Kirchner	Date: 26.01.2005	Design regulation no: 036.401	Index: a
--	----------------------------	---	--------------------

PLEASE GIVE US YOUR WRITTEN RELEASE

<input type="text"/>	<input type="text"/>
Date	Signature