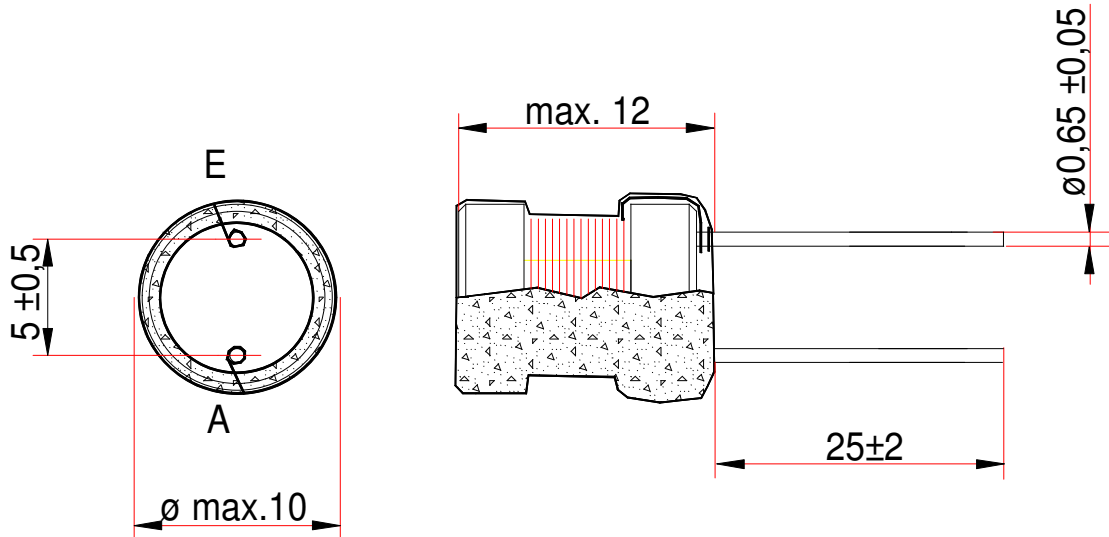


Technical Data Sheet

 Customer:
Kaschke Gö

 Part designation:
DR 270/5

Customer part no.:



Core / material / air gap / AL	GRD 8/10-2B or äquiv.	
Nominal inductance	L= 1000µH ±10%	
maximum transmissible power		
Working frequency		
Transformation ratio		
dielectric strength (50Hz/2s)		
Nominal Current	max. 290mA (L-10%)	
Design in comp. with standard	S07	
Working / storage temperature	-25 °C- +80 °C	-25 °C- +80 °C
Miscellaneous		
resistance	max. 2,9 Ohm	

 Remarks : **Samples for testing.**

 Measuring device of L: **W&K 3260A**

 Measuring conditions of L: **50mV/1kHz/25 °C**

Measured quantity	Unit	No. 1	No. 2	No. 3	No. 4	No. 5

Responsible person: Martina Kirchner	Date: 20.09.2006	Design regulation no: 036.425	Index: 00
--	----------------------------	---	---------------------

PLEASE GIVE US YOUR WRITTEN RELEASE

<input type="text"/>	<input type="text"/>
Date	Signature