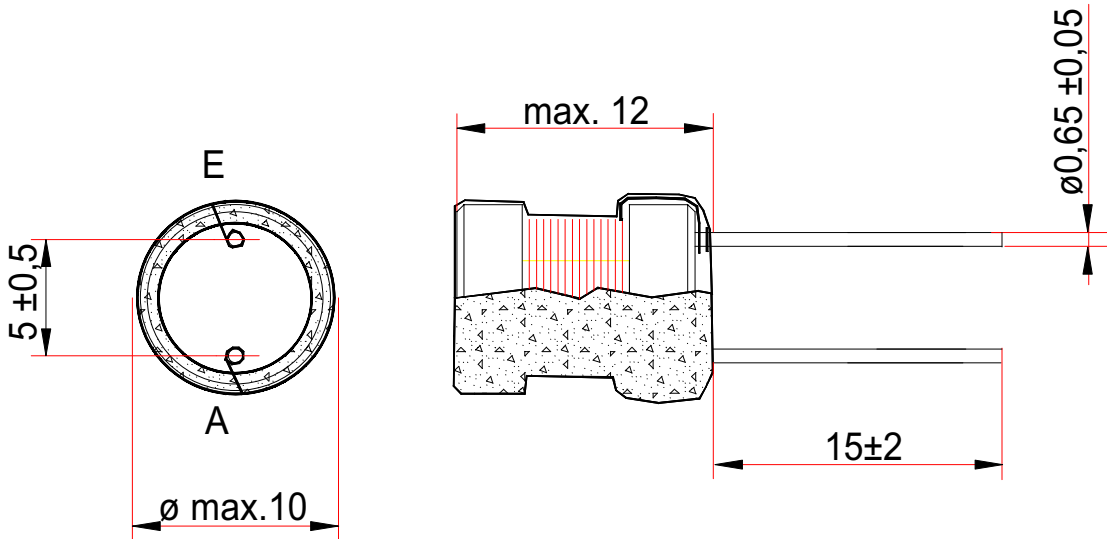


# Technical Data Sheet

Customer:  
**Kaschke Göttingen**

Part designation:  
**DR 270/5**

Customer part no.:



Core / material / air gap / AL	
Nominal inductance	<b>L= 1000µH ±10%</b>
maximum transmissible power	
Working frequency	
Transformation ratio	
dielectric strength (50Hz/2s)	
Nominal Current	<b>max. 290mA (L-10%)</b>
Design in comp. with standard	<b>S07</b>
Working / storage temperature	<b>-25°C- +80°C</b> <b>-25°C- +80°C</b>
Miscellaneous	
resistance	<b>max. 2,9 Ohm</b>

Remarks :

Measuring device of L: **W&K 3260A**

Measuring conditions of L: **50mV/1kHz/25°C**

Measured quantity	Unit	No. 1	No. 2	No. 3	No. 4	No. 5

Responsible person: <b>Martina Kirchner</b>	Date: <b>26.01.2005</b>	Design regulation no: <b>036.425</b>	Index: <b>a</b>
--	----------------------------	---	--------------------

**PLEASE GIVE US YOUR WRITTEN RELEASE**

<input type="text"/>	<input type="text"/>
Date	Signature