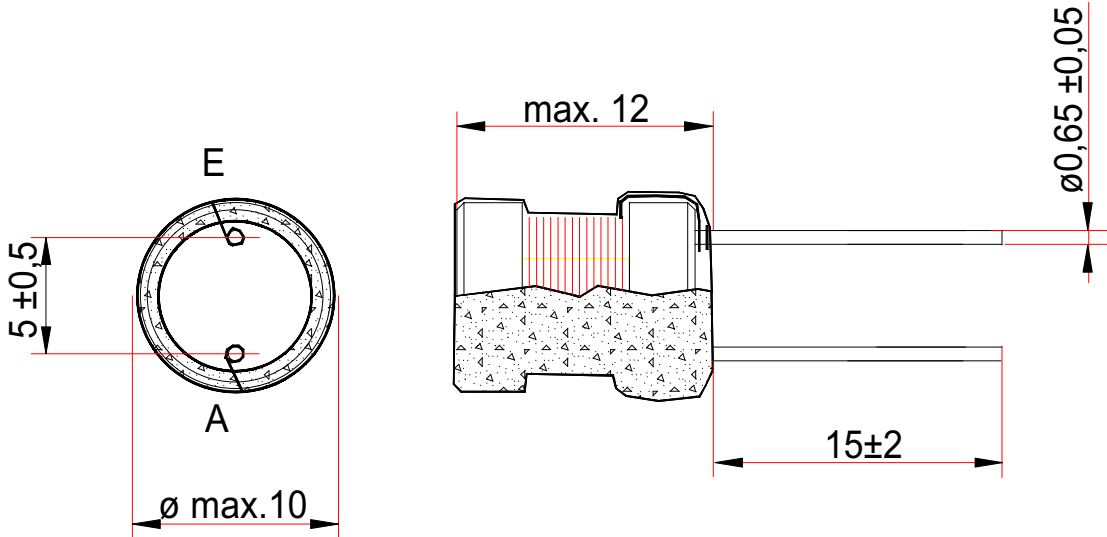


# Technical Data Sheet

Customer:  
**Kaschke Göttingen**

Part designation:  
**DR 270/5**

Customer part no.:



Core / material / air gap / AL		
Nominal inductance	<b>L= 1200µH ±10%</b>	
maximum transmissible power		
Working frequency		
Transformation ratio		
dielectric strength (50Hz/2s)		
Nominal Current	<b>max. 280mA (L-10%)</b>	
Design in comp. with standard	<b>S07</b>	
Working / storage temperature	<b>-25°C- +80°C</b>	<b>-25°C- +80°C</b>
Miscellaneous		
resistance	<b>max. 2,5 Ohm</b>	

Remarks :

Measuring device of L: **W&K 3260A**

Measuring conditions of L: **50mV/1kHz/25°C**

Measured quantity	Unit	No. 1	No. 2	No. 3	No. 4	No. 5

Responsible person:

**Martina Kirchner**

Date:

**26.01.2005**

Design regulation no:

**036.426**

Index:

**a**

**PLEASE GIVE US YOUR WRITTEN RELEASE**

Date

Signature