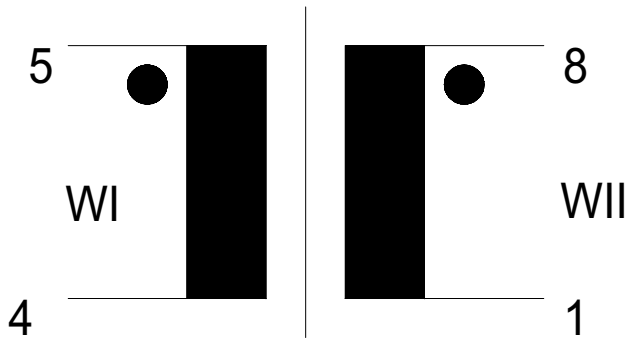
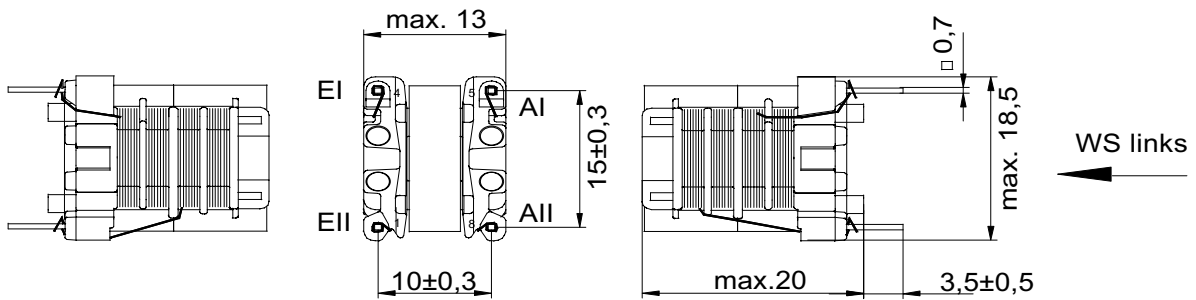


Technical Data Sheet

Customer:
Kaschke Göttingen

Part designation:
SP-E 16/5

Customer part no.:
CM-0,5-27mH



Core / material / air gap / AL	E16/5 / K6000 or equiv.	
Nominal inductance	L = 2x27mH ± 30%	
maximum transmissible power		
Working frequency		
Transformation ratio	1 : 1	
dielctric strength (50Hz/2s)	prim-sec:1,5KVe_{eff}	
Nominal Current	0,45A	
Design in comp. with standard	S06	
Working / storage temperature	-25°C- +125°C	-25°C- +85°C
Miscellaneous	F (DIN 40040)	
Widerstand (je Wicklung)	max. 2 Ohm	

Remarks : **a.)marking**

Measuring device of L: **W&K 3260A** Measuring conditions of L: **50mV/10kHz/21,5°C**

Measured quantity	Unit	No. 1	No. 2	No. 3	No. 4	No. 5

Responsible person: **Uwe Dickhut** Date: **11.01.2005** Design regulation no: **093.267** Index: **00**

PLEASE GIVE US YOUR WRITTEN RELEASE
Date Signature