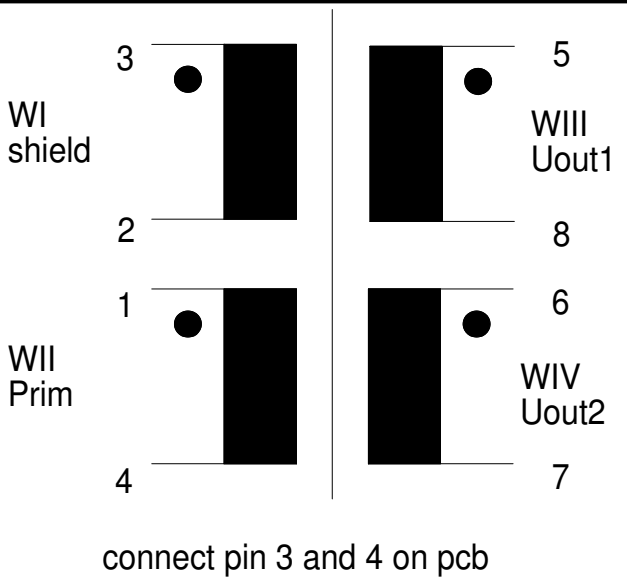
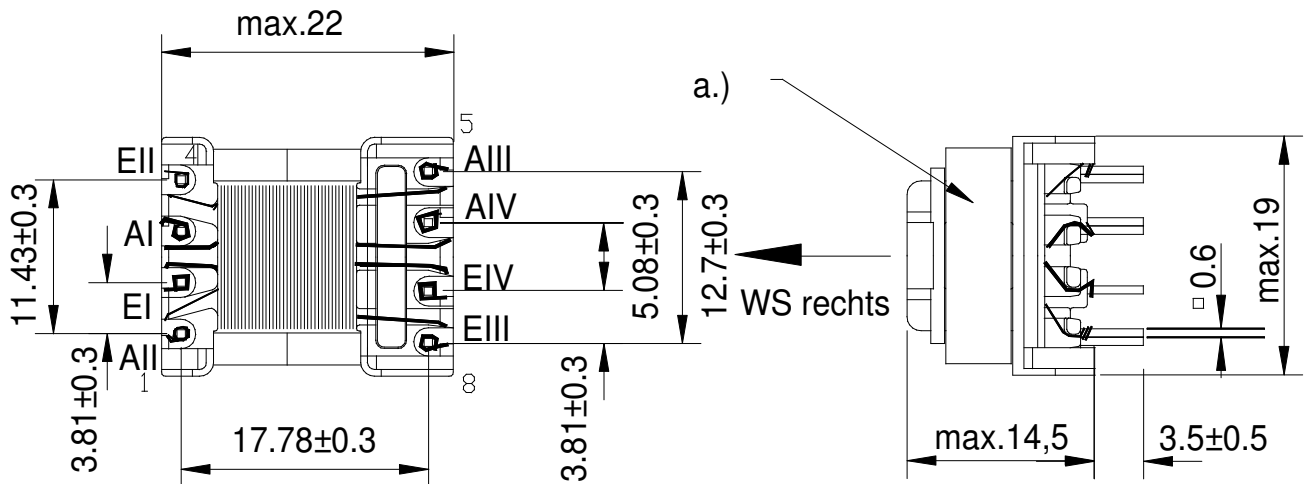


# Technical Data Sheet

 Customer:  
**Kaschke Göttingen**

 Part designation:  
**SP-E 16/5**

 Customer part no.:  
**SKNY275-13-8**


|                                |                               |                      |
|--------------------------------|-------------------------------|----------------------|
| Core / material / air gap / AL | <b>E16/5 K2006 o. equiv.</b>  |                      |
| Nominal inductance             | <b>LII=2mH±15%</b>            |                      |
| maximum transmissible power    | <b>8W</b>                     |                      |
| Working frequency              | <b>132kHz</b>                 |                      |
| Transformation ratio           | <b>28:103:14:14</b>           |                      |
| dielctric strength (50Hz/2s)   | <b>prim-sec: 3,75 kV eff.</b> |                      |
| Nominal Current                |                               |                      |
| Design in comp. with standard  | <b>EN60950 / EN61558</b>      |                      |
| Working / storage temperature  | <b>-25 °C- 115 °C</b>         | <b>-25 °C- 85 °C</b> |
| Miscellaneous                  |                               |                      |

Remarks : **a.) marking**  
**Uout1 = Uout2 = 13-15V**  
**Uout1 + Uout2 = 26-30V**

 Measuring device of L: **W&K 3245**

 Measuring conditions of L: **50 mV/10 KHz**

| Measured quantity | Unit | No. 1 | No. 2 | No. 3 | No. 4 | No. 5 |
|-------------------|------|-------|-------|-------|-------|-------|
|                   |      |       |       |       |       |       |
|                   |      |       |       |       |       |       |
|                   |      |       |       |       |       |       |
|                   |      |       |       |       |       |       |
|                   |      |       |       |       |       |       |
|                   |      |       |       |       |       |       |
|                   |      |       |       |       |       |       |
|                   |      |       |       |       |       |       |
|                   |      |       |       |       |       |       |
|                   |      |       |       |       |       |       |

 Responsible person:  
**Uwe Dickhut**

 Date:  
 ..

 Design regulation no:  
**093.832**

 Index:  
**a**
**PLEASE GIVE US YOUR WRITTEN RELEASE**


Date

Signature