

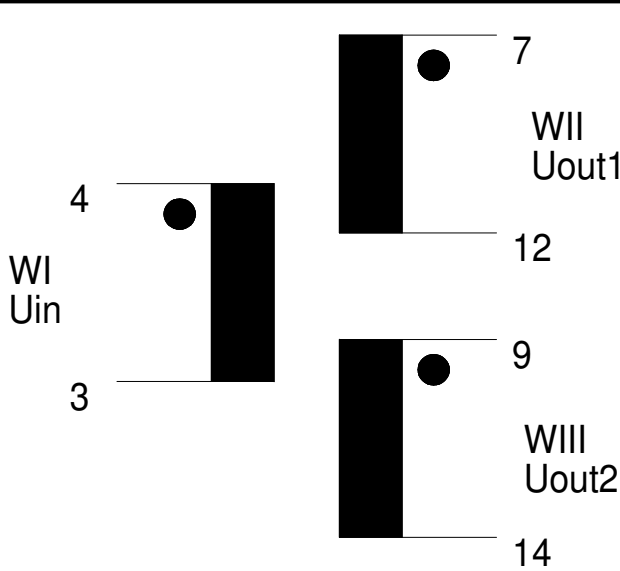
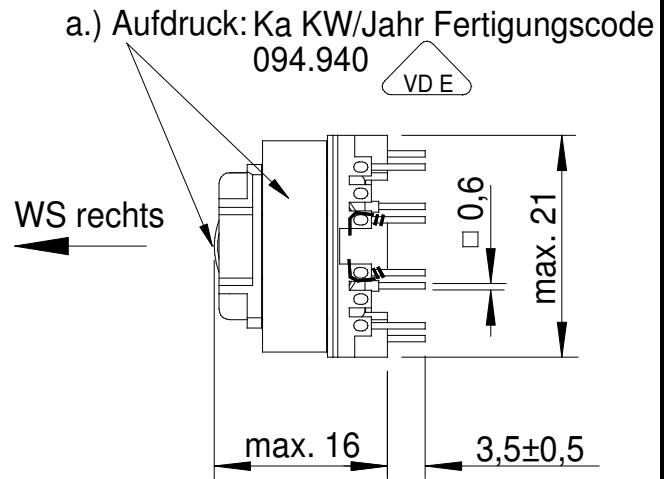
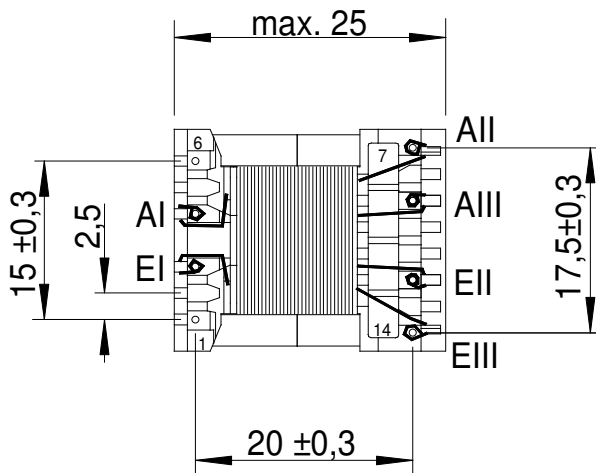
Technical Data Sheet

Customer:
Kaschke Göttingen

Part designation:
SP-E 20/6

Customer part no.:
SKNY268-5-14

gr/lov/zni1843.dwg



Core / material / air gap / AL	E20/6 K2006 or equiv.	
Nominal inductance	LI= 1,16mH ±10%	
maximum transmissible power	14W (TNY268 univ.)	
Working frequency	132 kHz	
Transformation ratio	88 : 5 : 5	
dielectric strength (50Hz/2s)	WI-WII/WIII= 4kVeff/50Hz	
Nominal Current		
Design in comp. with standard	EN61558/EN60950	
Working / storage temperature	-25 °C- +120 °C	-25 °C- +85 °C
Miscellaneous	F (DIN 40040)	
leakage inductance	max. 50 µH	

Remarks : a.) marking
Uout1 = Uout2 = 5V-6V
Uout1 + Uout2 = 10-12V

Measuring device of L: **W&K 3260A**

Measuring conditions of L: **50mV/10kHz/22,5 °C**

Measured quantity	Unit	No. 1	No. 2	No. 3	No. 4	No. 5

Responsible person:

Uwe Dickhut

Date:

28.02.2007

Design regulation no:

094.940

Index:

01

PLEASE GIVE US YOUR WRITTEN RELEASE

Date

Signature