

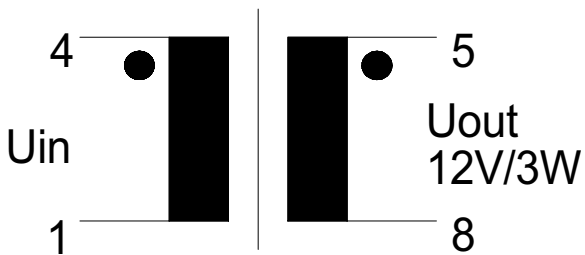
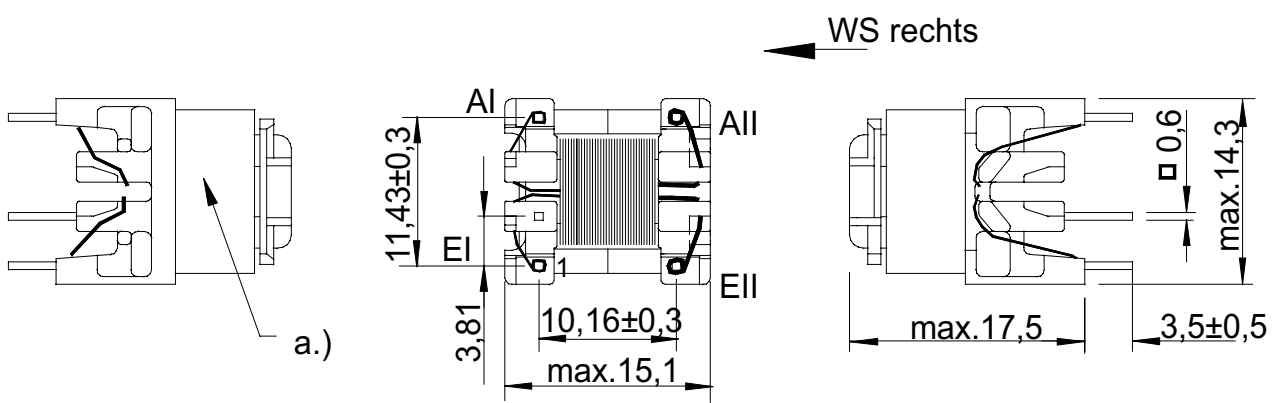
Technical Data Sheet

Customer:
Kaschke KG Göttingen

Part designation:
SP-E 13/6

Customer part no.:
STNY-12-3

d:/bv/zm1864.dwg



Core / material / air gap / AL	E13/6 K2006 or equiv.	
Nominal inductance	LI= 1,4 mH ±15%	
maximum transmissible power	3W	
Working frequency	132KHz	
Transformation ratio	16:1	
dielectric strength (50Hz/2s)	WI-WII: 3,75KV	
Nominal Current		
Design in comp. with standard	S08	
Working / storage temperature	-25°C- 120°C	-25°C- 85°C
Miscellaneous		

Remarks : a.) marking

Measuring device of L: **W&K 3245**

Measuring conditions of L: **50 mV/10 KHz**

Measured quantity	Unit	No. 1	No. 2	No. 3	No. 4	No. 5

Responsible person:
Uwe Dickhut

Date:
01.03.2005

Design regulation no.:
096.931

Index:
00

PLEASE GIVE US YOUR WRITTEN RELEASE

Date

Signature