

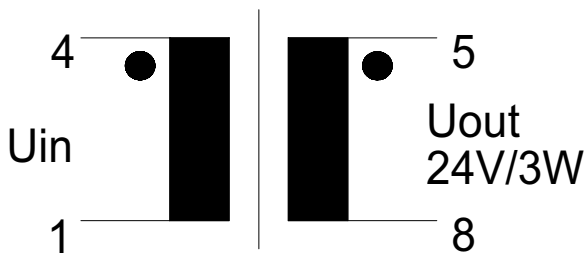
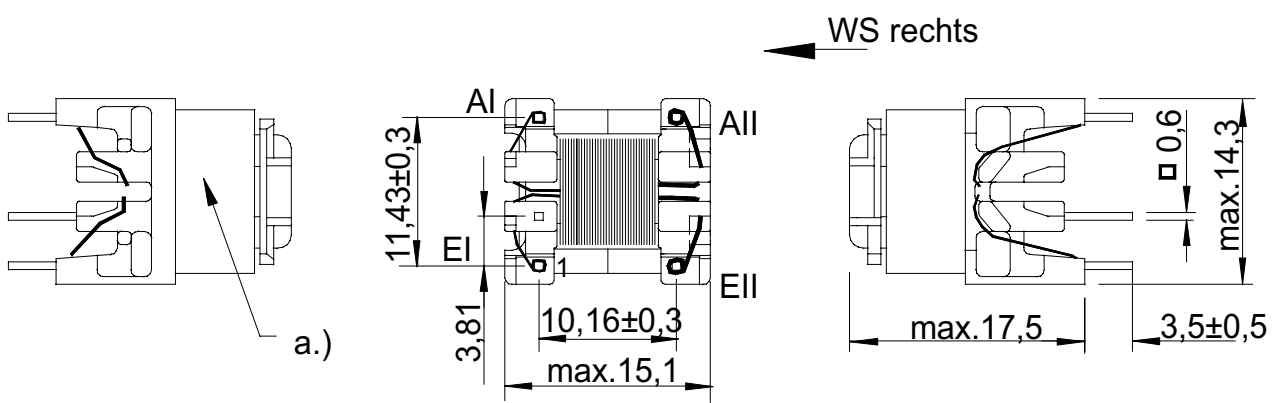
Technical Data Sheet

Customer:
Kaschke Göttingen

Part designation:
SP-E 13/6

Customer part no.:
STNY-24-3

d:/bv/zm1864.dwg



Core / material / air gap / AL	E13/6 K2006 or equiv.	
Nominal inductance	LI= 1,25 mH $\pm 10\%$	
maximum transmissible power	3W	
Working frequency	144KHz	
Transformation ratio		
dielectric strength (50Hz/2s)	WI-WII: 3,75KV	
Nominal Current		
Design in comp. with standard	S08	
Working / storage temperature	-25°C- 120°C	-25°C- 85°C
Miscellaneous		

Remarks : a.) Aufdruck (marking)

Measuring device of L: **W&K 3245**

Measuring conditions of L: **50 mV/10 KHz**

Measured quantity	Unit	No. 1	No. 2	No. 3	No. 4	No. 5
LI	mH	1,43	1,43			
LII	μH	51,3	51,2			
Lleak	μH	21	21			

Responsible person:

Uwe Dickhut

Date:

..

Design regulation no:

096.932

Index:

a

PLEASE GIVE US YOUR WRITTEN RELEASE

Date

Signature