

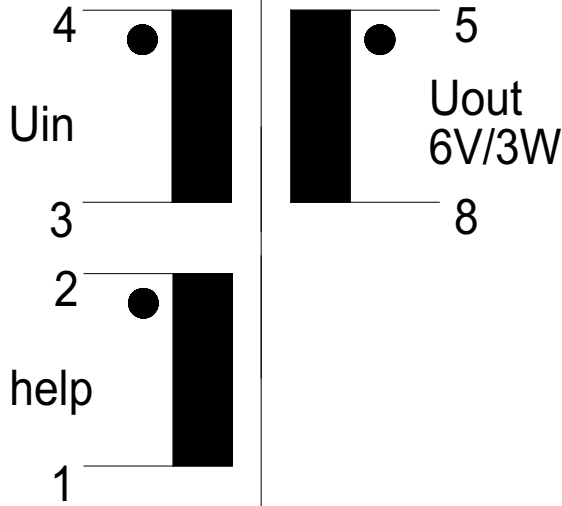
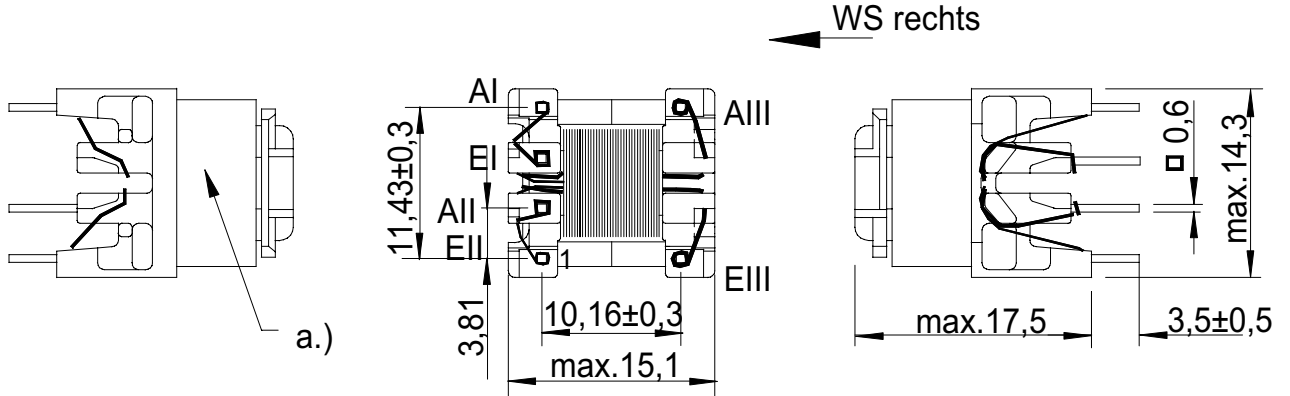
Technical Data Sheet

Customer:
Kaschke Göttingen

Part designation:
SP-E 13/6

Customer part no.:
SLNK520-6-3

d:/bv/zm1864.dwg



Core / material / air gap / AL	E13/6 K2006 or equiv.	
Nominal inductance	LI= 3,4 mH ±15%	
maximum transmissible power	3W (50°C)	
Working frequency	42KHz	
Transformation ratio	8,75:2,56:1	
dielectric strength (50Hz/2s)	prim-sec : 3,75KV	
Nominal Current		
Design in comp. with standard	S08	
Working / storage temperature	-25°C- 120°C	-25°C- 85°C
Miscellaneous	F (DIN 40040)	
switcher	link 520-uin	

Remarks : a.) creepage min.6mm

Measuring device of L: **W&K 3245**

Measuring conditions of L: **50 mV/10 KHz**

Measured quantity	Unit	No. 1	No. 2	No. 3	No. 4	No. 5

Responsible person:
Uwe Dickhut

Date:
..

Design regulation no:
096.950

Index:
a

PLEASE GIVE US YOUR WRITTEN RELEASE

Date

Signature