

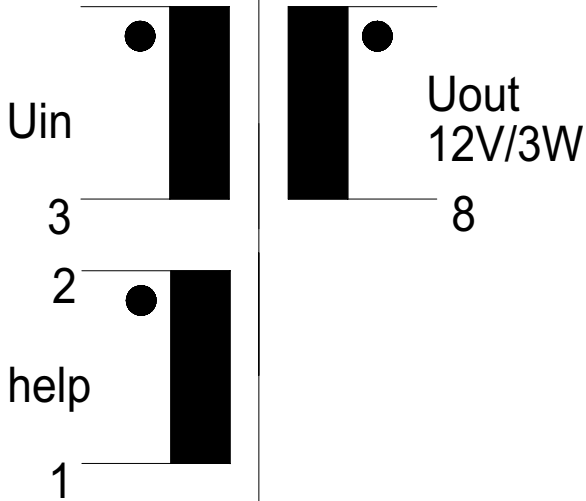
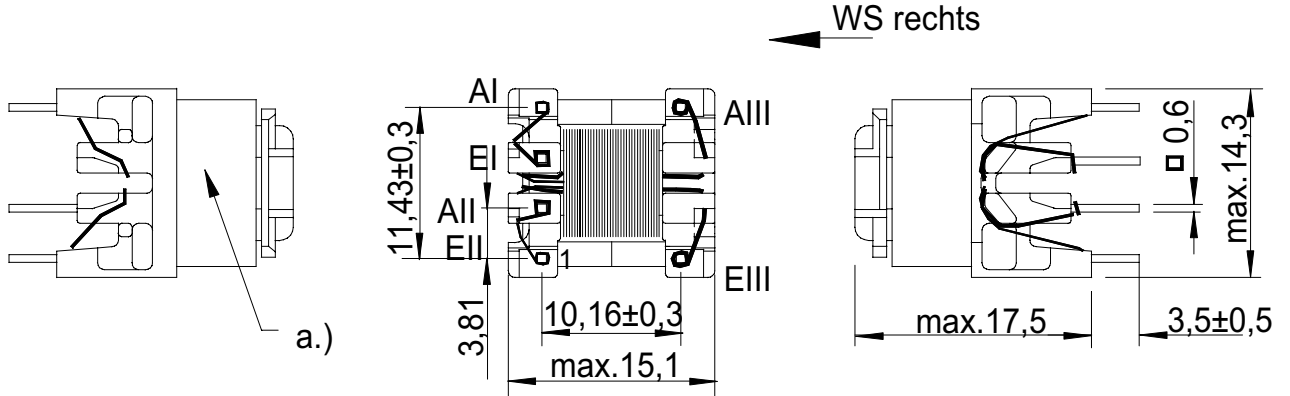
Technical Data Sheet

Customer:
Kaschke Göttingen

Part designation:
SP-E 13/6

Customer part no.:
SLNK520-12-3

d:/bv/zn1864.dwg



Core / material / air gap / AL	E13/6 K2006 or equiv.	
Nominal inductance	LI= 3,4 mH $\pm 15\%$	
maximum transmissible power	3W	
Working frequency	132KHz	
Transformation ratio		
dielectric strength (50Hz/2s)	WI-WII: 3,75KV	
Nominal Current		
Design in comp. with standard	S08	
Working / storage temperature	-25°C- 120°C	-25°C- 85°C
Miscellaneous		

Remarks : **a.) Aufdruck (marking)**

Measuring device of L: **W&K 3245**

Measuring conditions of L: **50 mV/10 KHz**

Measured quantity	Unit	No. 1	No. 2	No. 3	No. 4	No. 5
LI	mH	3,46	3,45			
LII	μH	178	178			
LIII	μH	95,1	94,5			
Lleak	μH	80	77			

Responsible person:
Uwe Dickhut

Date:
..

Design regulation no.:
096.951

Index:
a

PLEASE GIVE US YOUR WRITTEN RELEASE

Date

Signature