

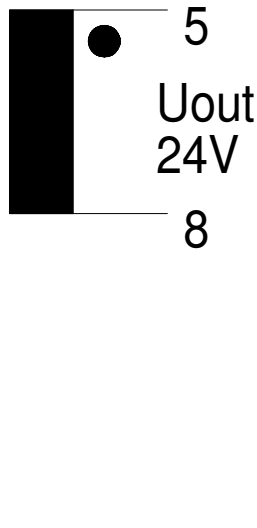
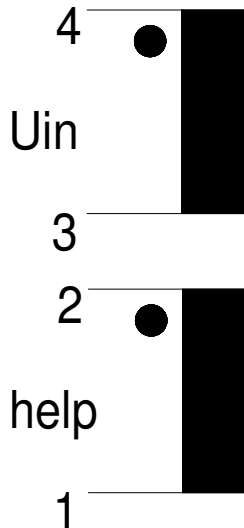
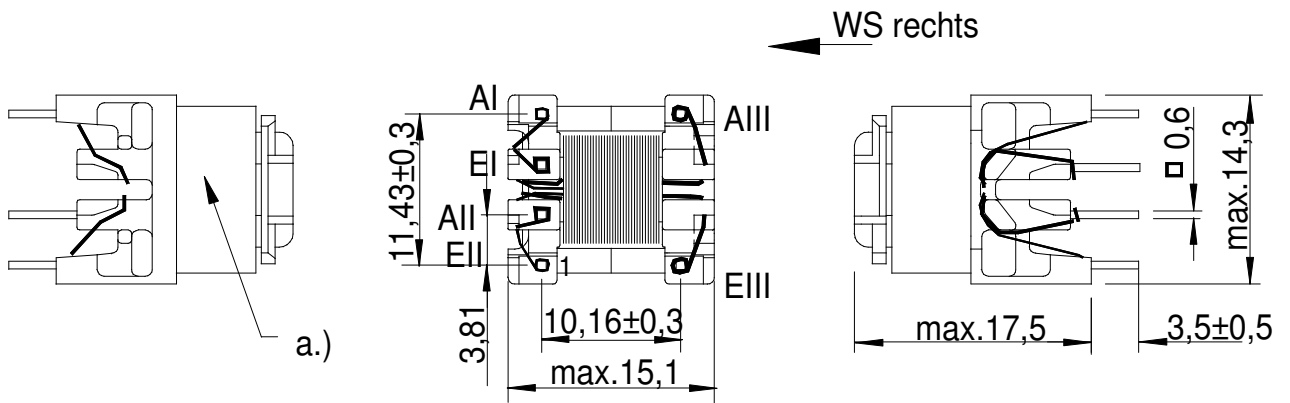
# Technical Data Sheet

 Customer:  
**Kaschke Göttingen**

 Part designation:  
**SP-E 13/6**

 Customer part no.:  
**SLNK520-12-3**

d:/bv/zn1864.dwg



Core / material / air gap / AL	<b>E13/6 K2006 or equiv.</b>	
Nominal inductance	<b>LI= 2,6 mH ±10%</b>	
maximum transmissible power	<b>3W</b>	
Working frequency	<b>44KHz</b>	
Transformation ratio	<b>110:35:45</b>	
dielectric strength (50Hz/2s)	<b>Prim - Sec: 3,75KV</b>	
Nominal Current		
Design in comp. with standard	<b>S98</b>	
Working / storage temperature	<b>-25 °C- 120 °C</b>	<b>-25 °C- 85 °C</b>
Miscellaneous		
switcher	<b>Link 520-uni</b>	

 Remarks : **a.) marking**

 Measuring device of L: **W&K 3245**

 Measuring conditions of L: **50 mV/10 KHz**

Measured quantity	Unit	No. 1	No. 2	No. 3	No. 4	No. 5

Responsible person:

**Uwe Dickhut**

Date:

**08.11.2007**

Design regulation no:

**096.952**

Index:

**a**
**PLEASE GIVE US YOUR WRITTEN RELEASE**

Date

Signature